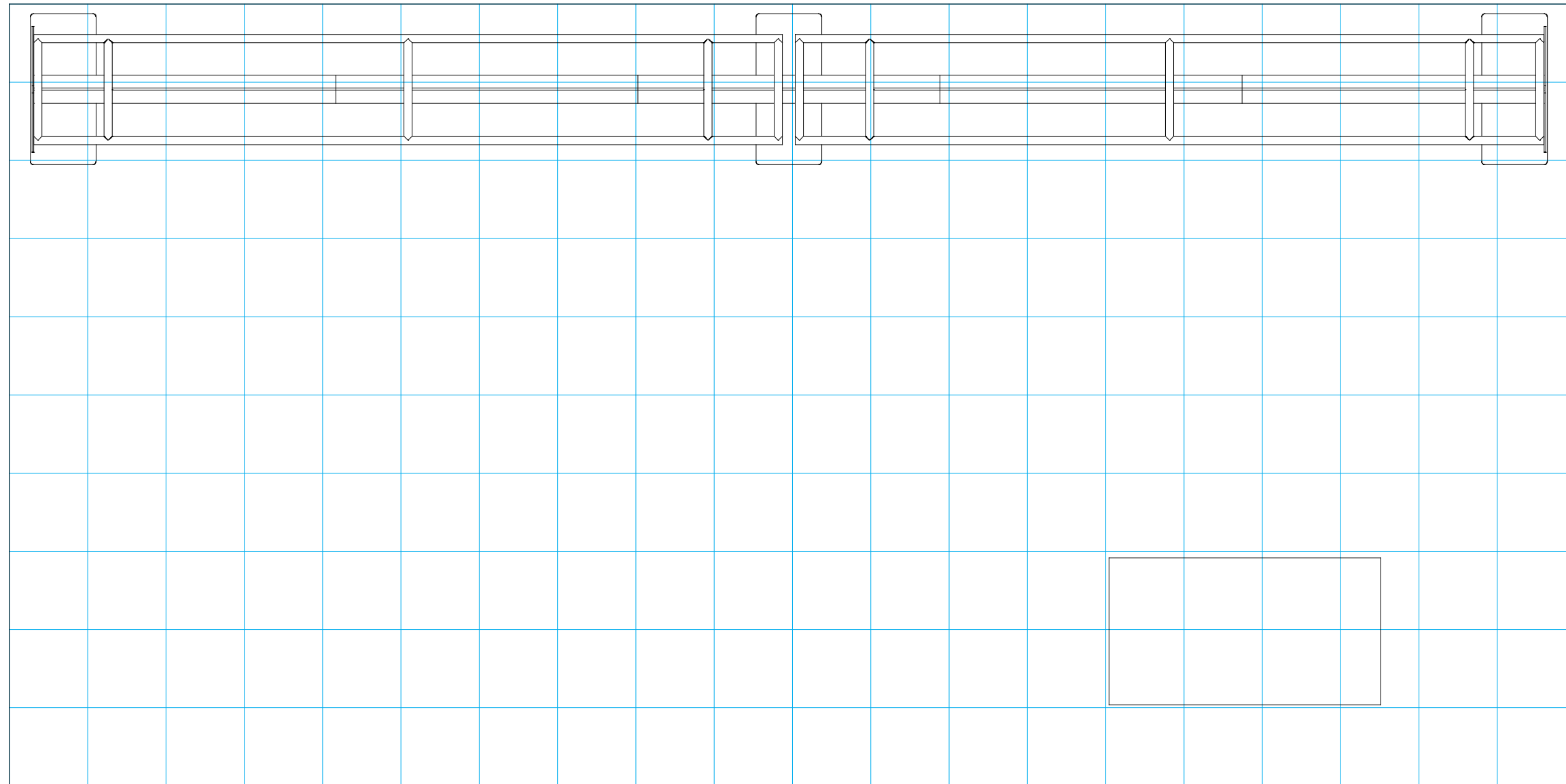



SETUP INSTRUCTIONS



 = 1 sq foot



General Setup Instructions

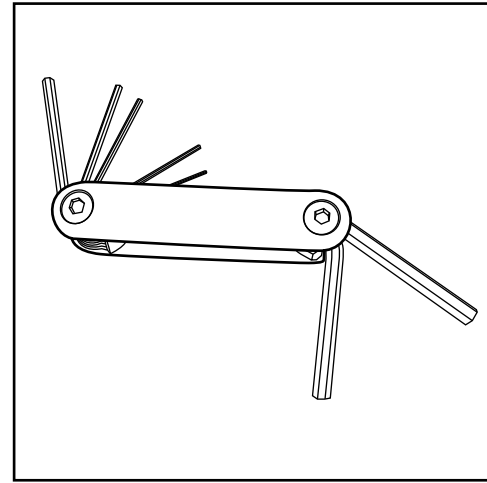
- Read entire setup instruction manual prior to unpacking parts and pieces.
- The setup instructions are created specifically for this configuration.
- Setup instructions are laid out sequentially in steps, including exploded views with detailed explanation for assembly.

Cleaning & Packing

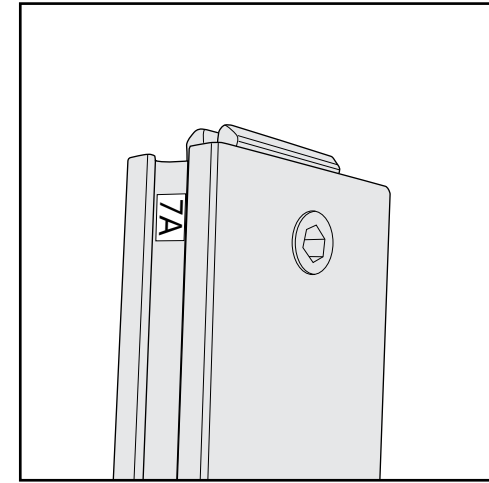
- For Cleaning Metal, Plex, & Laminate Parts: Use a **MILD NON-ABRASIVE** cleanser and soft cloth/paper towel to clean all surfaces.
- Keep exhibit components away from heat and prolonged sun exposure. **Heat and UV exposure will warp and fade components.**
- Retain all provided Packing Materials. All provided packing materials are for ease of repacking & component protection.

Disassembly

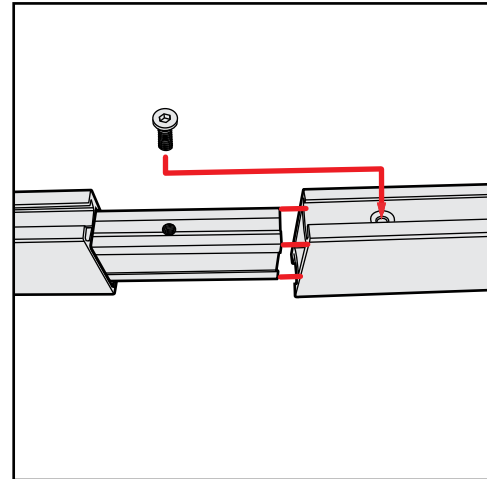
- For loss prevention, tighten all set screws and locks during disassembly.



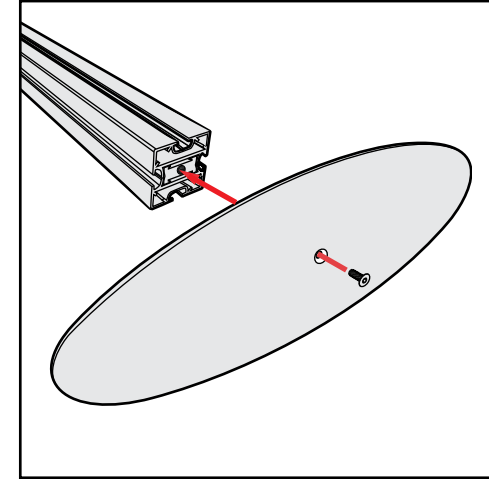
Hex Tool - Essential for Assembly



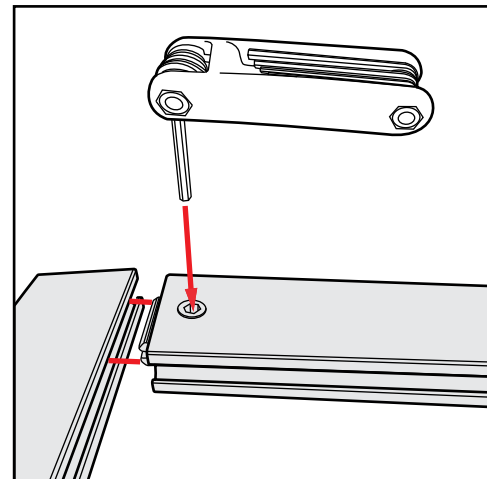
Part Identification - Numbering



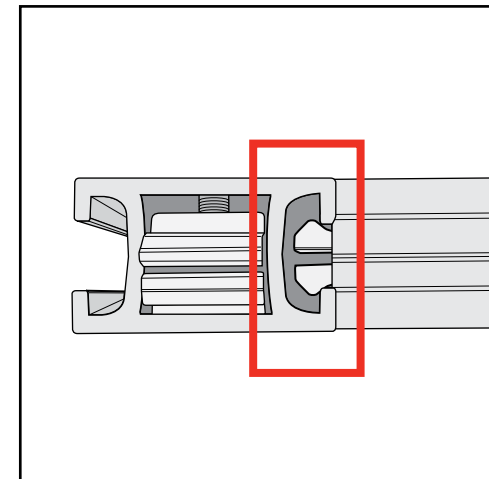
Spline Connection



Base Plate & Extrusion Connection



Extrusion & Lock Connection



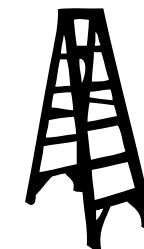
Engaged Lock



WARNING



DO NOT USE POWER TOOLS



LADDERS OR LIFTS
MAY BE REQUIRED

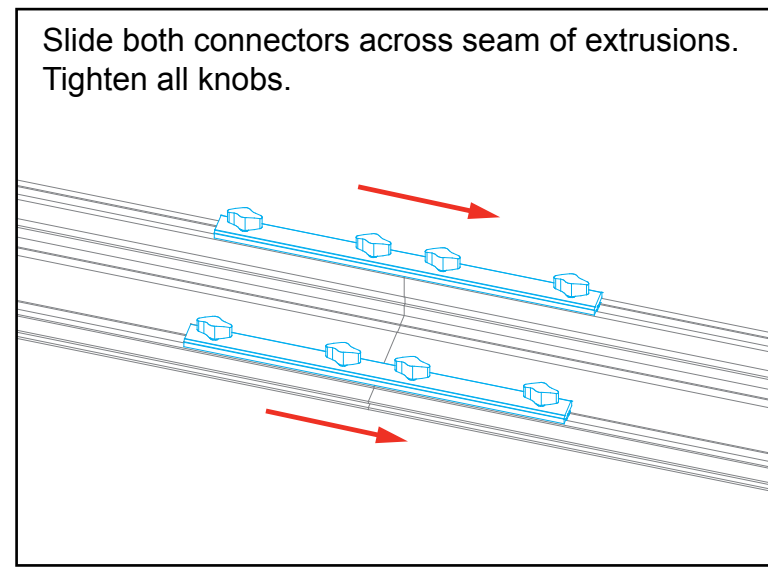
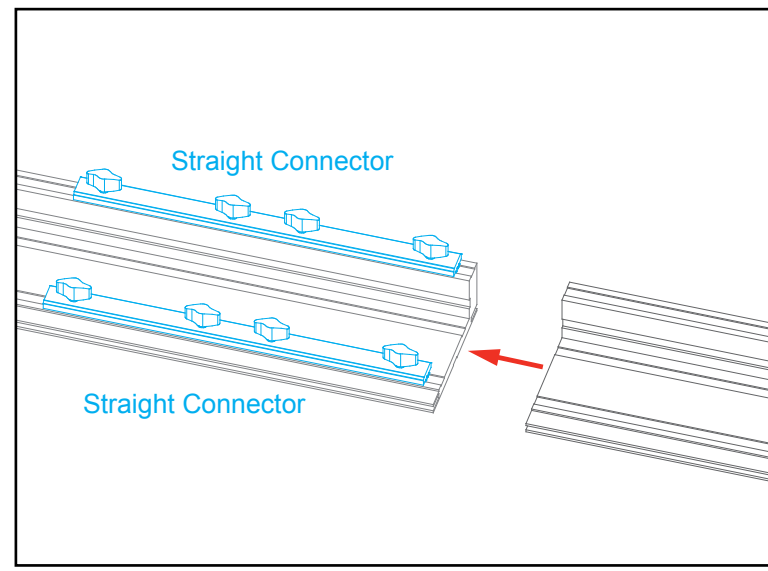


ALL CONNECTIONS MUST
BE TIGHTLY SECURED

Straight Connection

When assembling frame, first attach all **straight connectors**, then attach **corner connectors**.

- 1) Place extrusions end-to-end.
- 2) Loosen all knobs, then slide **straight connectors** across the seam of extrusions.
- 3) Tighten all knobs to secure connection.



Slide both connectors across seam of extrusions. Tighten all knobs.

Disassembly

- 1) Loosen all knobs.
- 2) Slide connectors off of one extrusion.
- 3) Tighten knobs to prevent loss during packing & shipping.

Keep straight connectors in groove of extrusion. Do not remove connectors during disassembly.

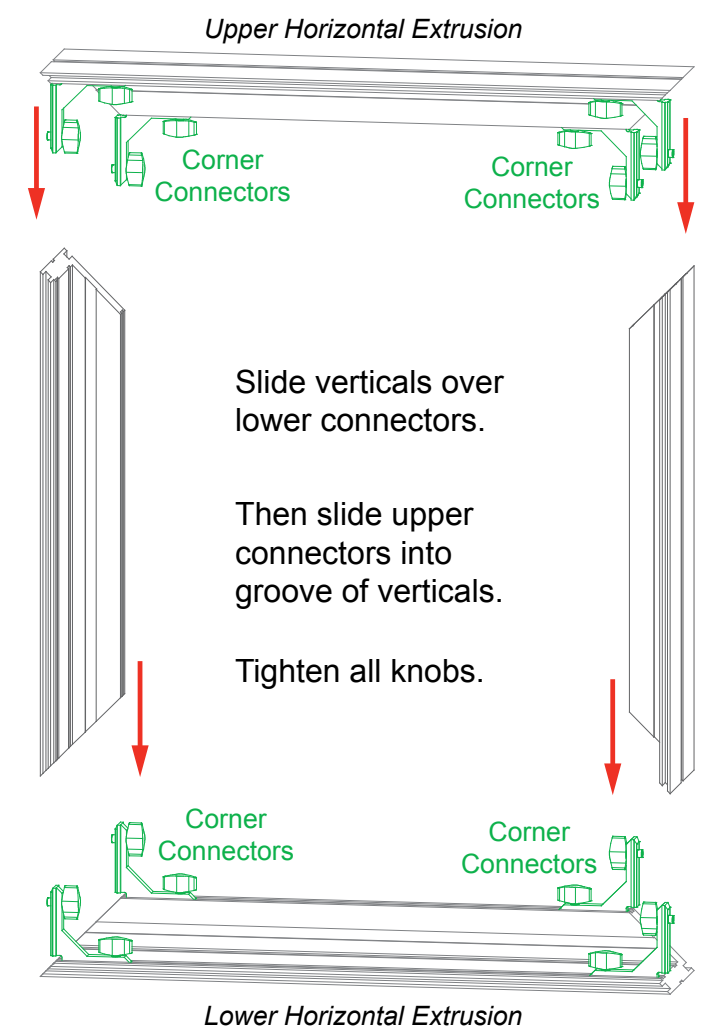
All knobs must be tightened securely to ensure a proper connection.

Corner Connection

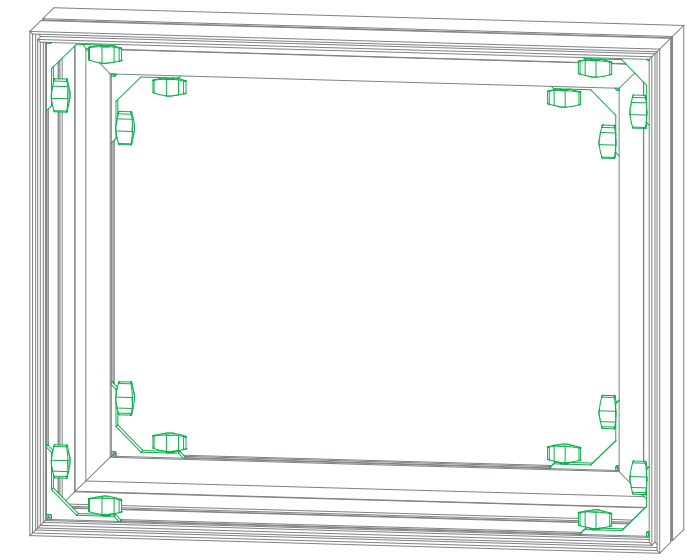
- 1) Loosen knobs, then slide vertical extrusions onto **corner connectors** of **lower** horizontal extrusion.
- 2) Slide **corner connectors** of **upper** horizontal extrusion into grooves of vertical extrusions.
- 3) Tighten all knobs to secure connection.

Disassembly

- 1) Loosen knobs on vertical extrusions.
- 2) Slide the vertical extrusions off of **corner connectors** on lower and upper horizontal extrusions.

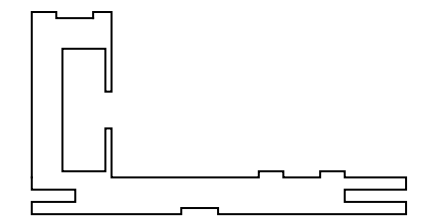


Adjust connectors if necessary to prevent gaps in connection.



COMPLETED ASSEMBLY

All knobs must be tightened securely to ensure a proper connection.



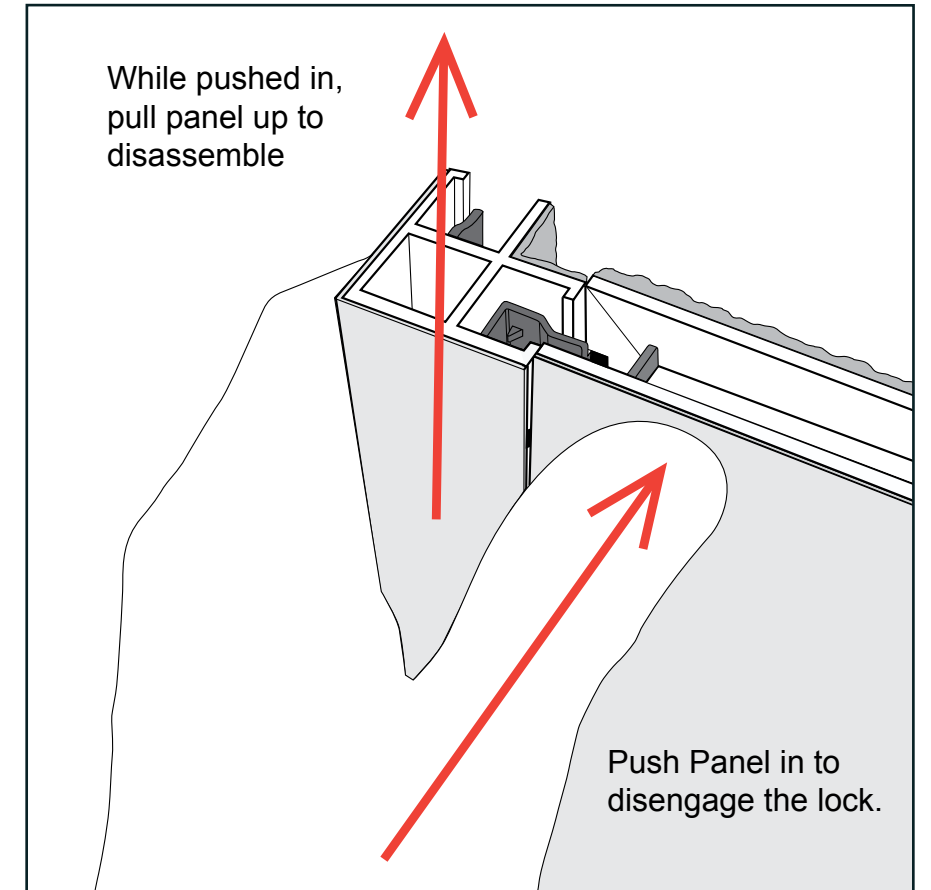
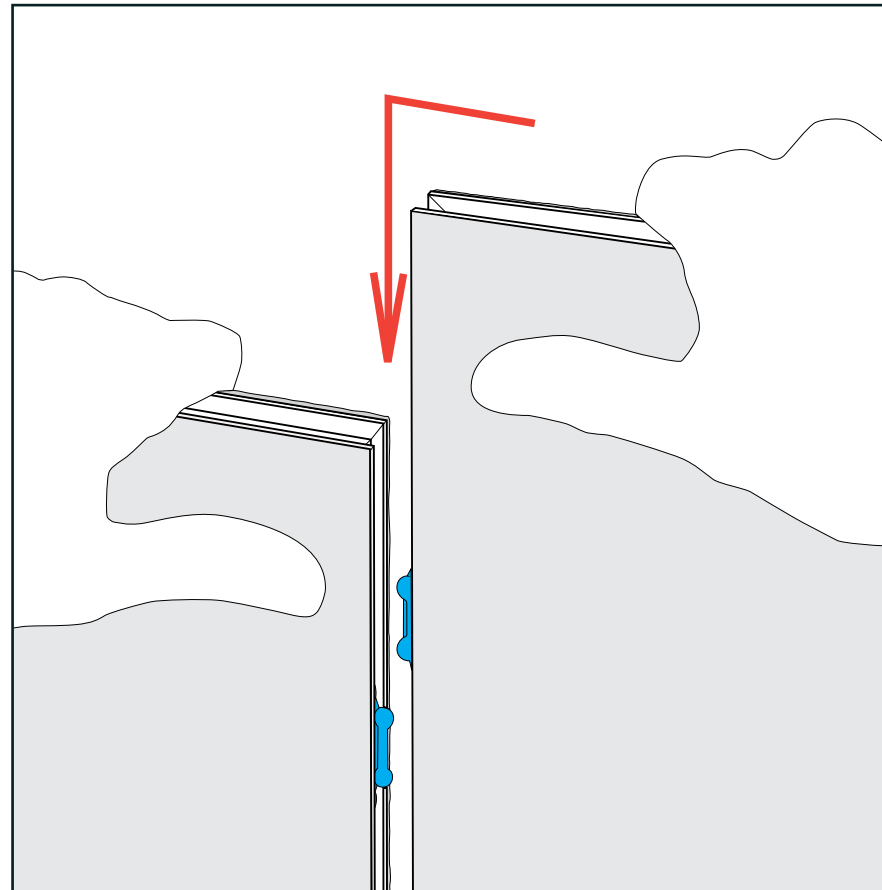
CEI110 Profile

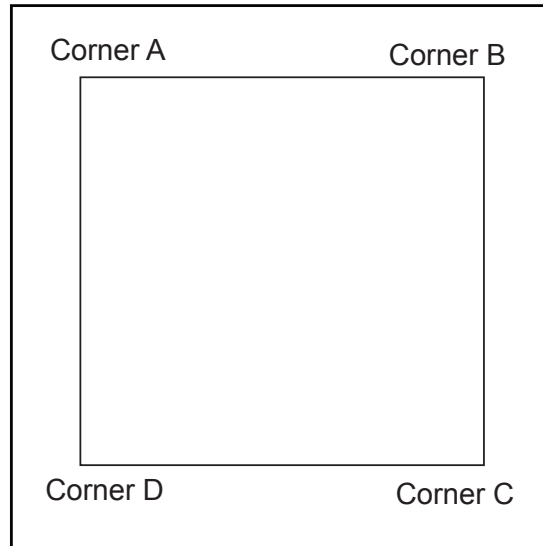
LT Panel Assembly

- 1) With a vertical offset, place LT-Panels side-by-side; slide vertically offset panel down to lock panels together and in place.
- 2) Corner Connectors (90°, T-Connector, Straight Connector) connect just as panels connect together. Repeat Step 1 for installing corner connectors to panels.

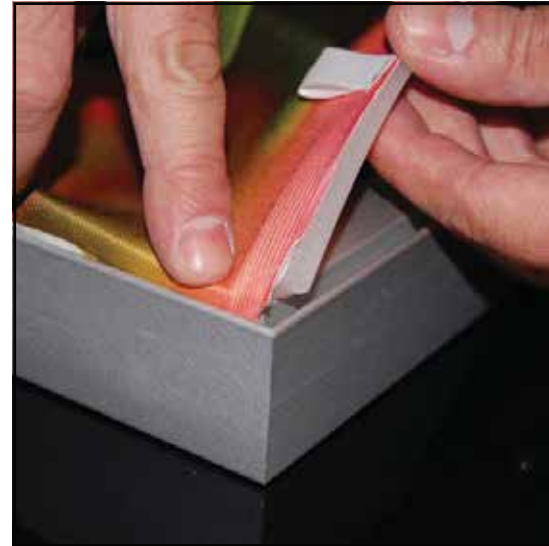
LT Panel Disassembly

- 1) To disassemble push panel with upper locks horizontally to disengage top lock clip.
- 2) Slide panels or connectors vertically in opposing directions to release latches and disconnect parts.





It is important to first insert graphic into each alternate corner then to the sides of the frame. If this is not done, graphic will not fit into the frame correctly.



Step 1
 Insert corner A. Turn edge of graphic so silicon welt is perpendicular to face of graphic. Insert narrow side of welt with fabric to outside into the channel. Repeat for other side of this corner.

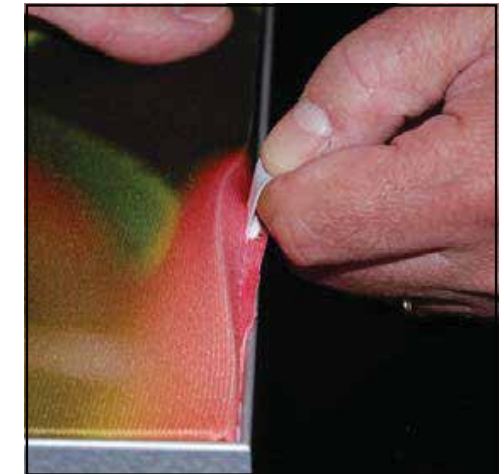


Step 2
 Repeat Step 1 for opposite corner C, then insert corner B, followed by corner D, to complete the installation of the corners.



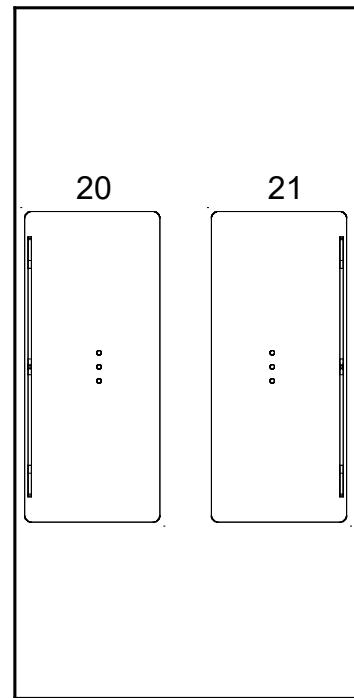
Step 3
 Once all corners are inserted, press one silicon edge into channel from corners and work toward the center. Make sure welt is fully inserted into channel. Continue until all sides are done. Smooth out edges of graphic.

Graphic Removal

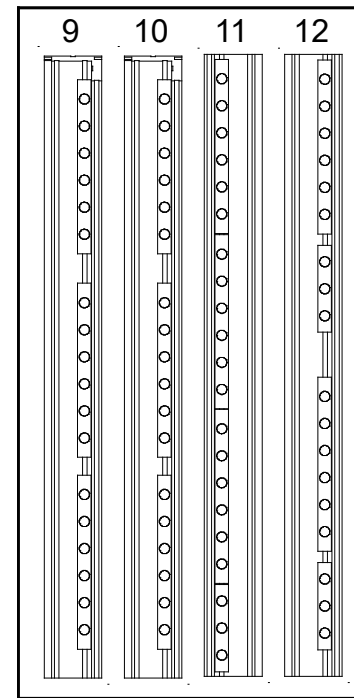


To remove the graphic from the frame, locate the fabric pull tab. Gently pull up on the tab to remove the fabric.

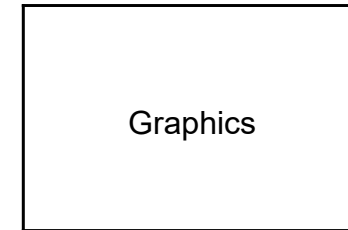
Top View of Each Level



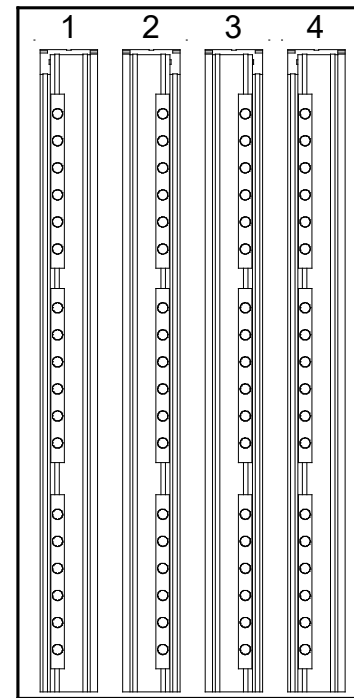
Level 1
(Bottom level)



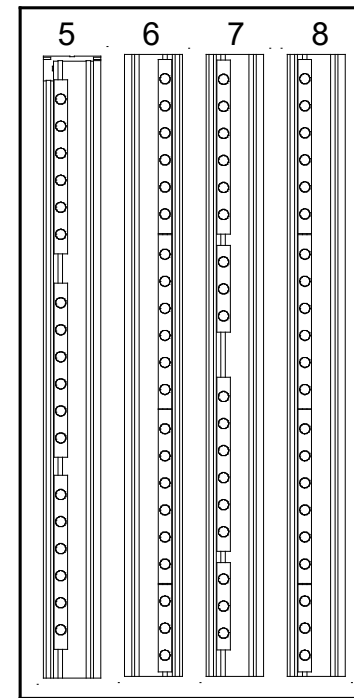
Level 2



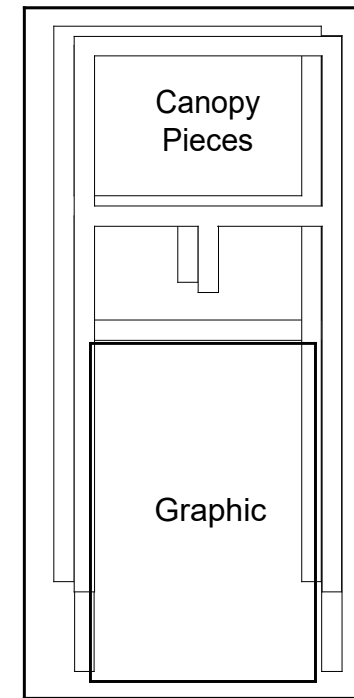
Top View of Each Level



Level 1
(Bottom level)

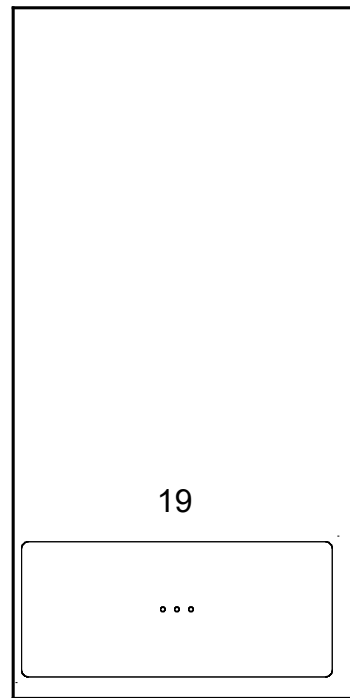


Level 2

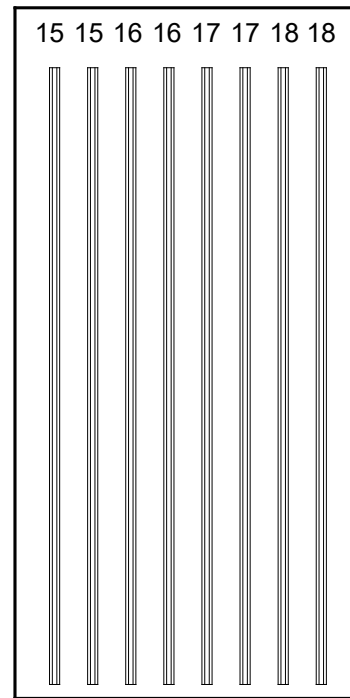


Level 3

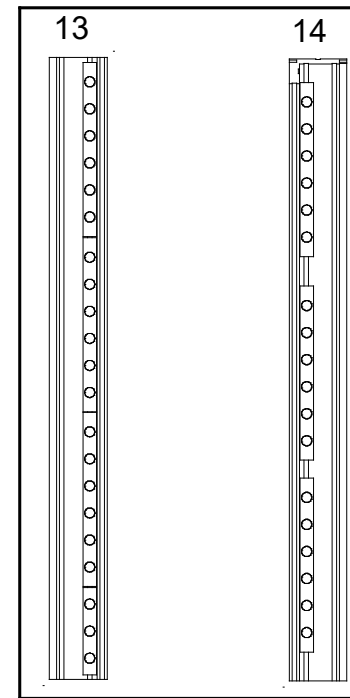
Top View of Each Level



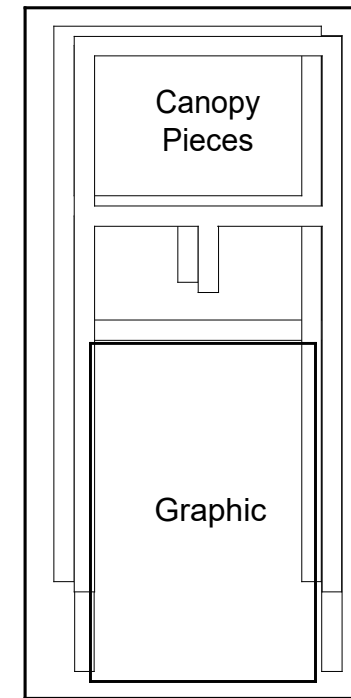
Level 1
(Bottom level)



Level 2

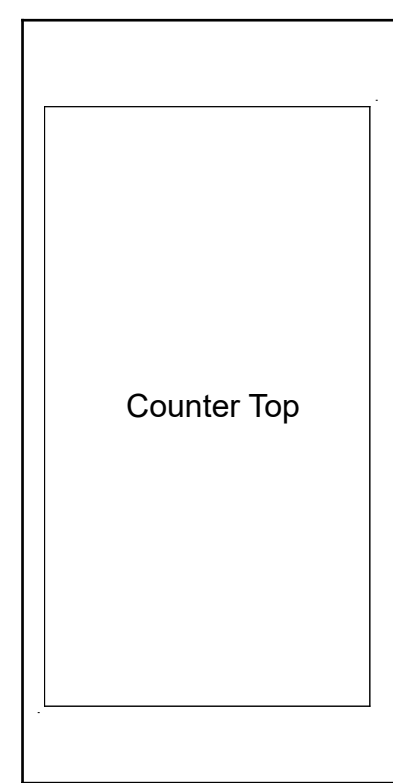


Level 3

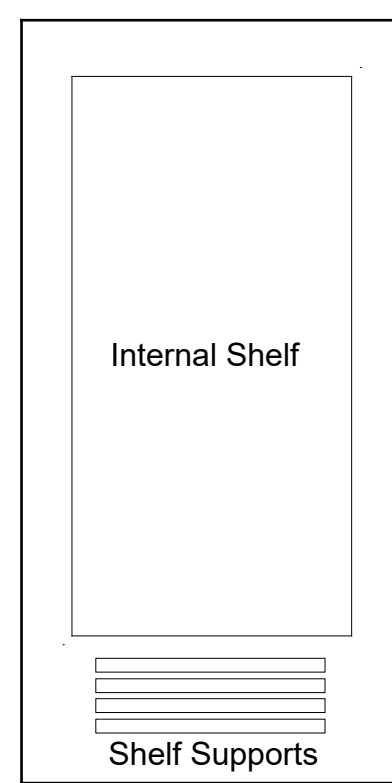


Level 4

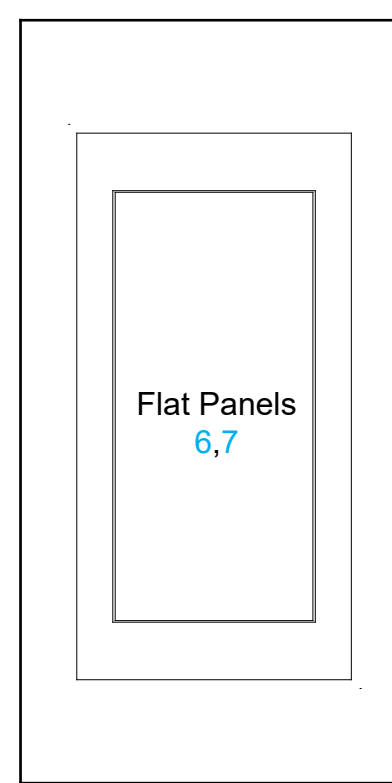
Top View of Each Level



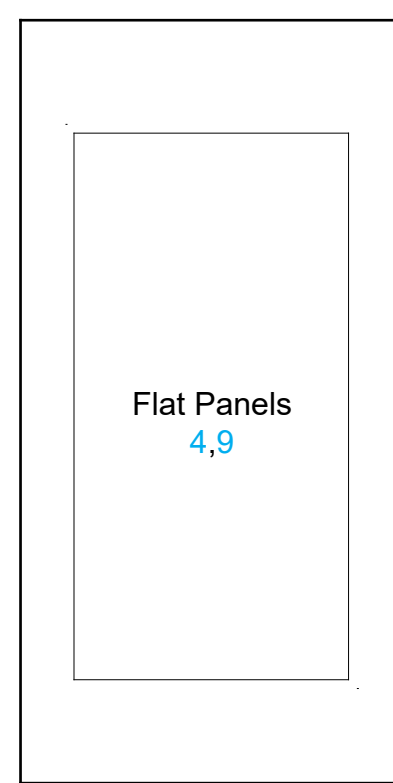
Level 1 (Bottom Level)



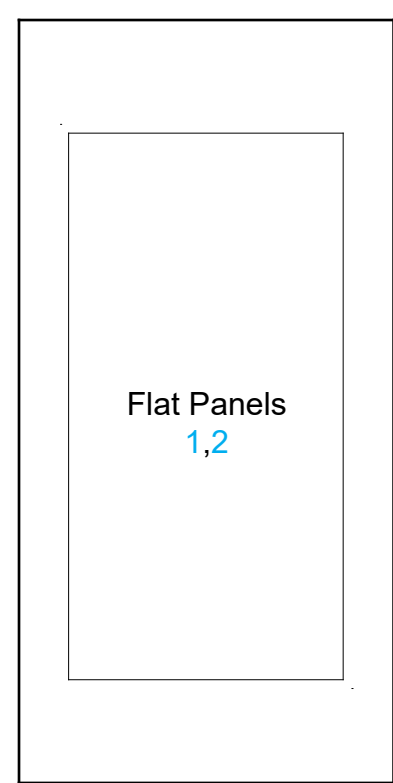
Level 2



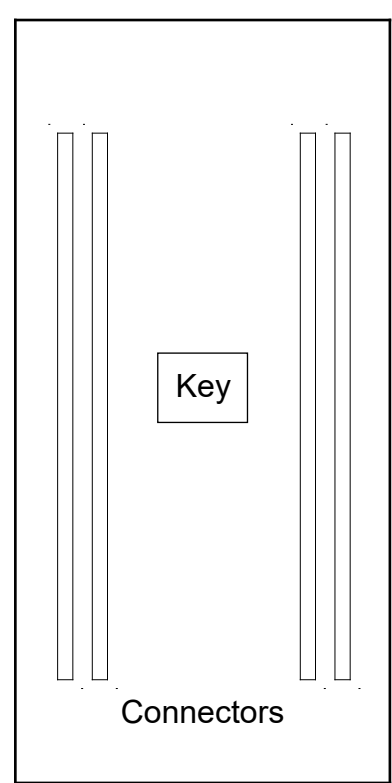
Level 3



Level 4



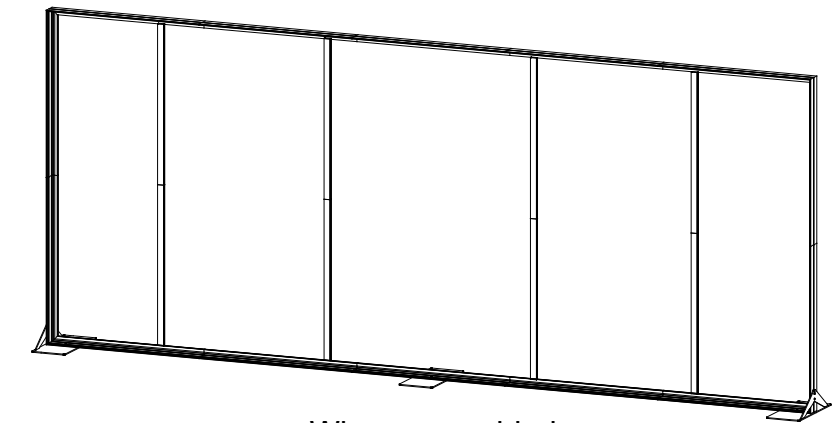
Level 5



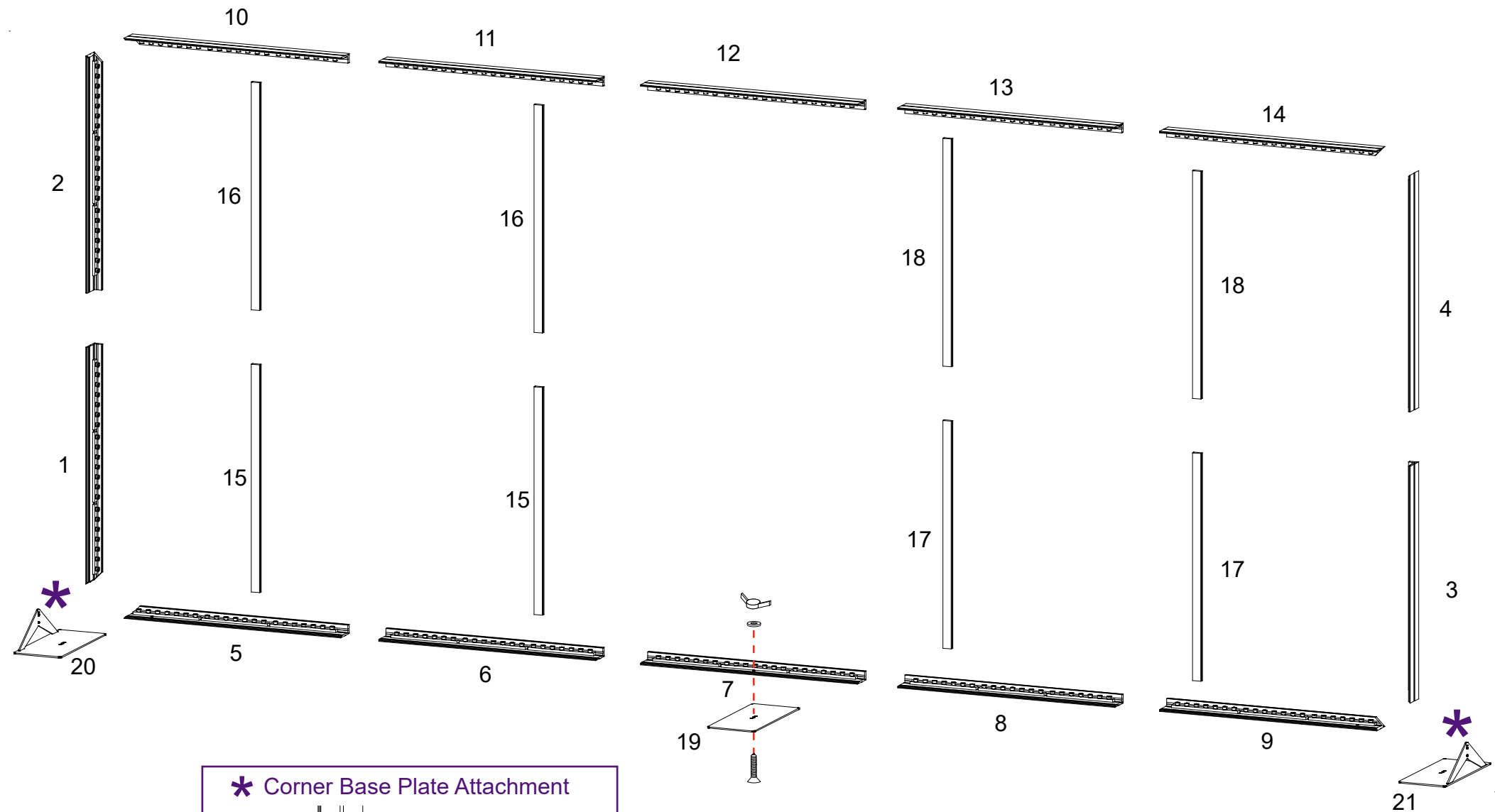
Level 6

Item	Qty.	Description
1	1	48"h CEI110 Vertical Extrusion
2	1	48"h CEI110 Vertical Extrusion
3	1	48"h CEI110 Vertical Extrusion
4	1	48"h CEI110 Vertical Extrusion
5	1	46.40"w CEI110 Horizontal Extrusion
6	1	46.40"w CEI110 Horizontal Extrusion
7	1	46.40"w CEI110 Horizontal Extrusion
8	1	46.40"w CEI110 Horizontal Extrusion
9	1	46.40"w CEI110 Horizontal Extrusion
10	1	46.40"w CEI110 Horizontal Extrusion
11	1	46.40"w CEI110 Horizontal Extrusion
12	1	46.40"w CEI110 Horizontal Extrusion
13	1	46.40"w CEI110 Horizontal Extrusion
14	1	46.40"w CEI110 Horizontal Extrusion
15	2	46.177"h Z45 Vertical Extrusion
16	2	46.177"h Z45 Vertical Extrusion
17	2	46.177"h Z45 Vertical Extrusion
18	2	46.177"h Z45 Vertical Extrusion
19	1	23" x 10" Rectangular Base Plate
20	1	SF17 Corner Base Plate
21	1	SF17 Corner Base Plate

Assemble frame flat on ground.



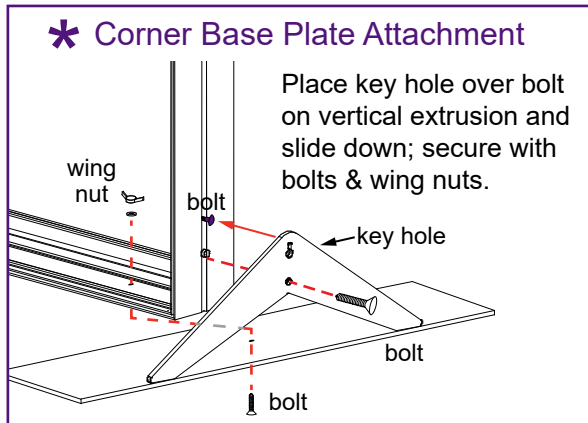
When assembled



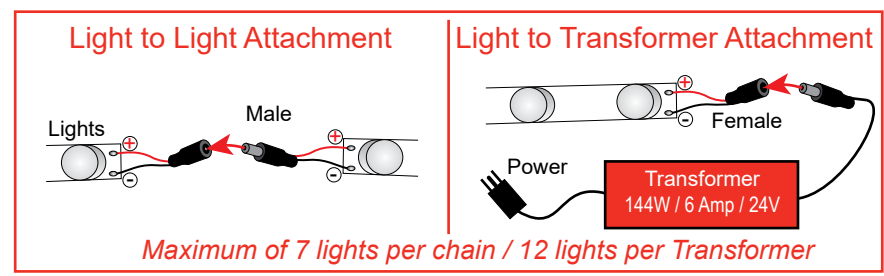
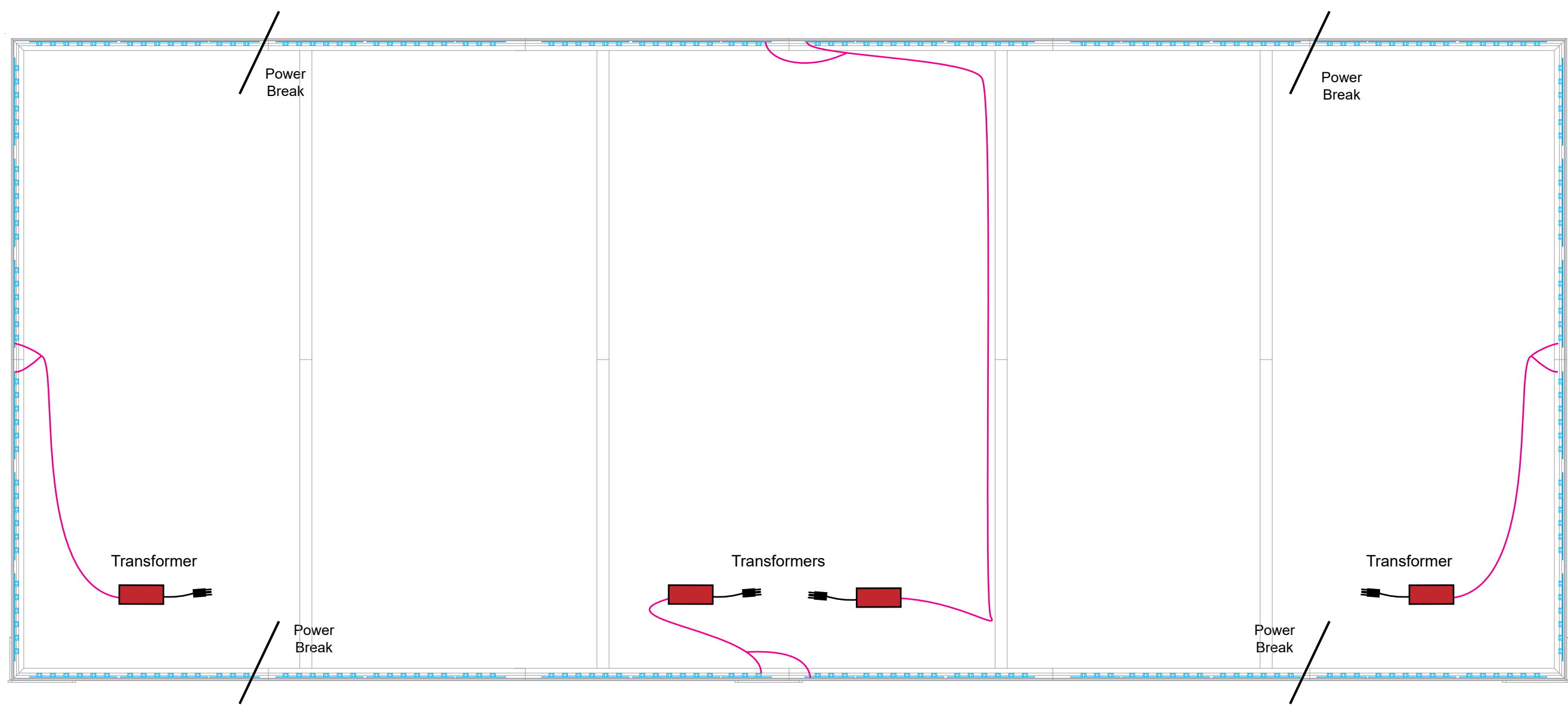
Steps:

Note: Refer to the CEI110 Frame Assembly general information page.

- 1) Assemble horizontals [5-6-7-8-9], [10-11-12-13-14] & verticals [1-2], [3-4] using straight connectors.
- 2) Connect vertical assemblies [1/2], [3/4] between horizontal assemblies [5/6/7/8/9], [10/11/12/13/14] using corner connectors.
- 3) Attach verticals [15-16], [17-18] between horizontal assemblies as shown.
- 3) Connect Base Plate [19] to horizontal [7] using bolts.
- 4) Install Corner Base Plates [20,21].
See [Corner Base Plate Attachment](#) detail.



Steps:
1) Connect power cords to Supernova lights, as shown.



AERO

- Steps:
- 1) Connect canopy pieces together as shown.
 - 2) Apply pillow case graphic to assembled canopy
- Repeat steps for other canopy assembly.

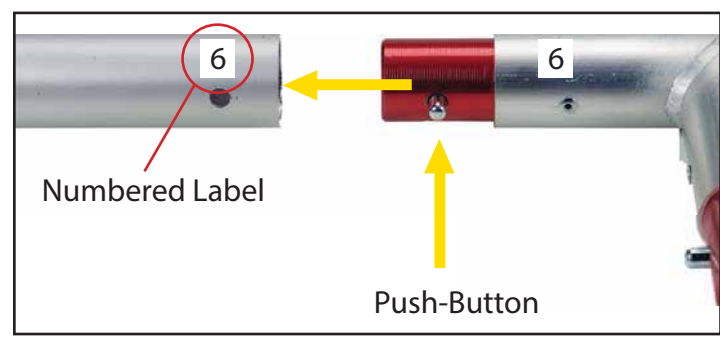
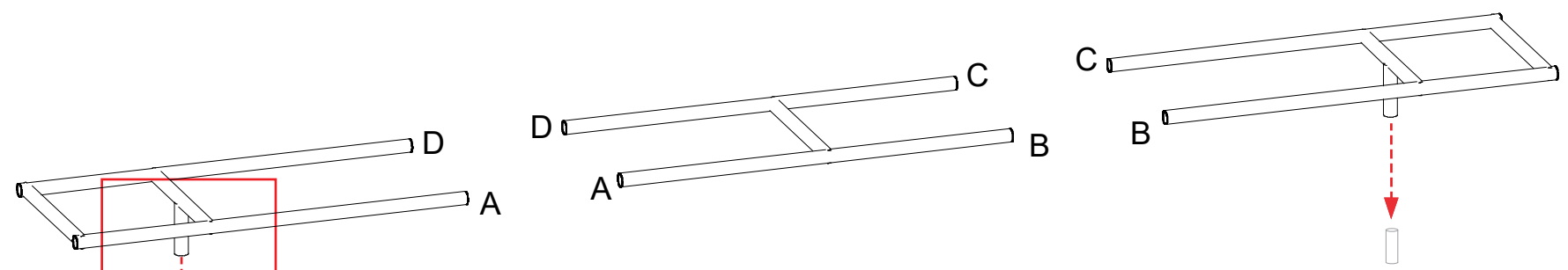
Using Your Setup Instructions

The Aero Setup Instructions are created specifically for your configuration. The instructions include an exploded view of the frame which is sequentially labeled. We encourage you to review the instructions before attempting to assemble your exhibit.

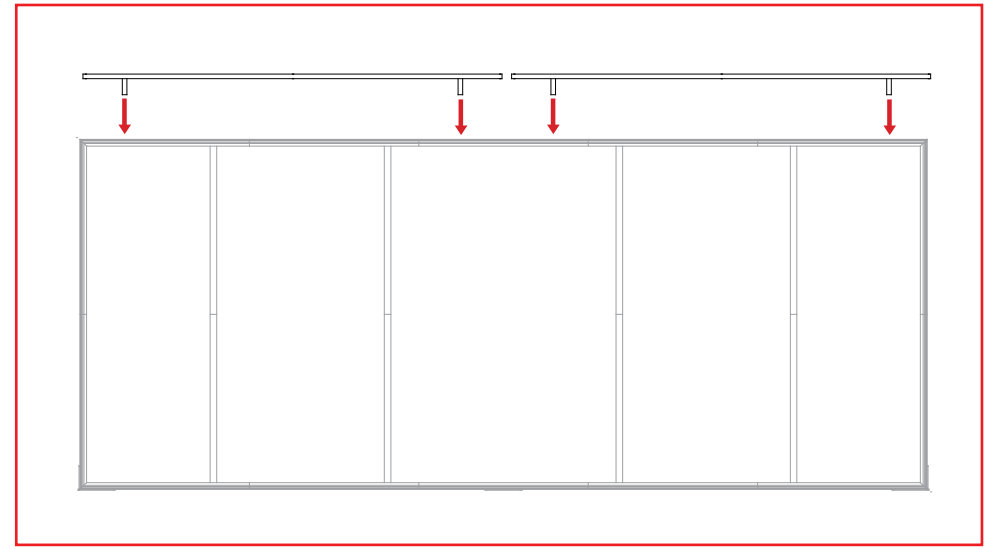
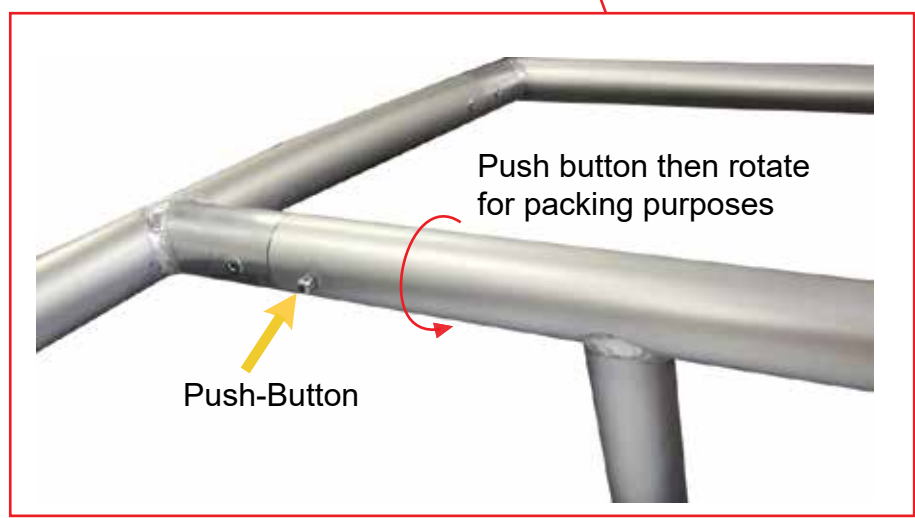
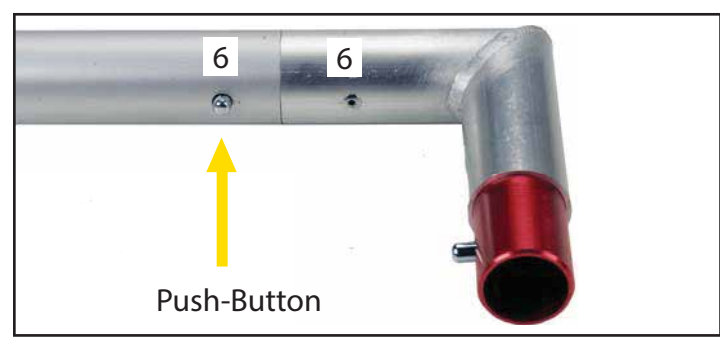
Connections are kept very simple; no tools required. Everything assembles with push-button connectors.

Cleaning and Packing Your Display

- 1) Use care when cleaning aluminum extrusion or acrylic inserts. Use only non-abrasive cleaners.
- 2) Retain all packing material. It will make re-packing much easier and will reduce the likelihood of shipping damage.



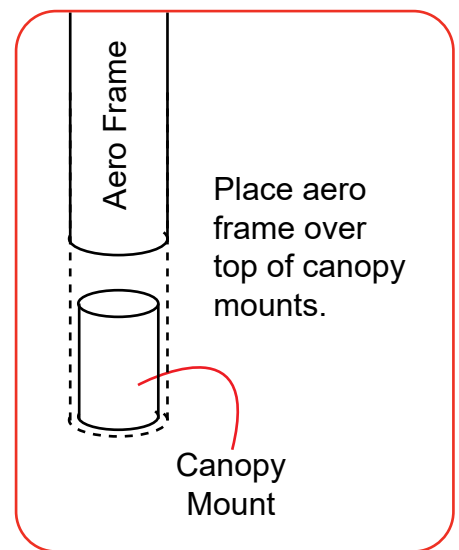
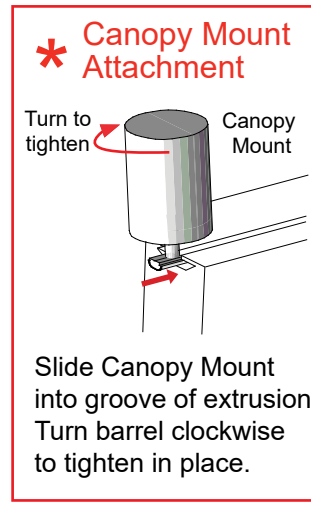
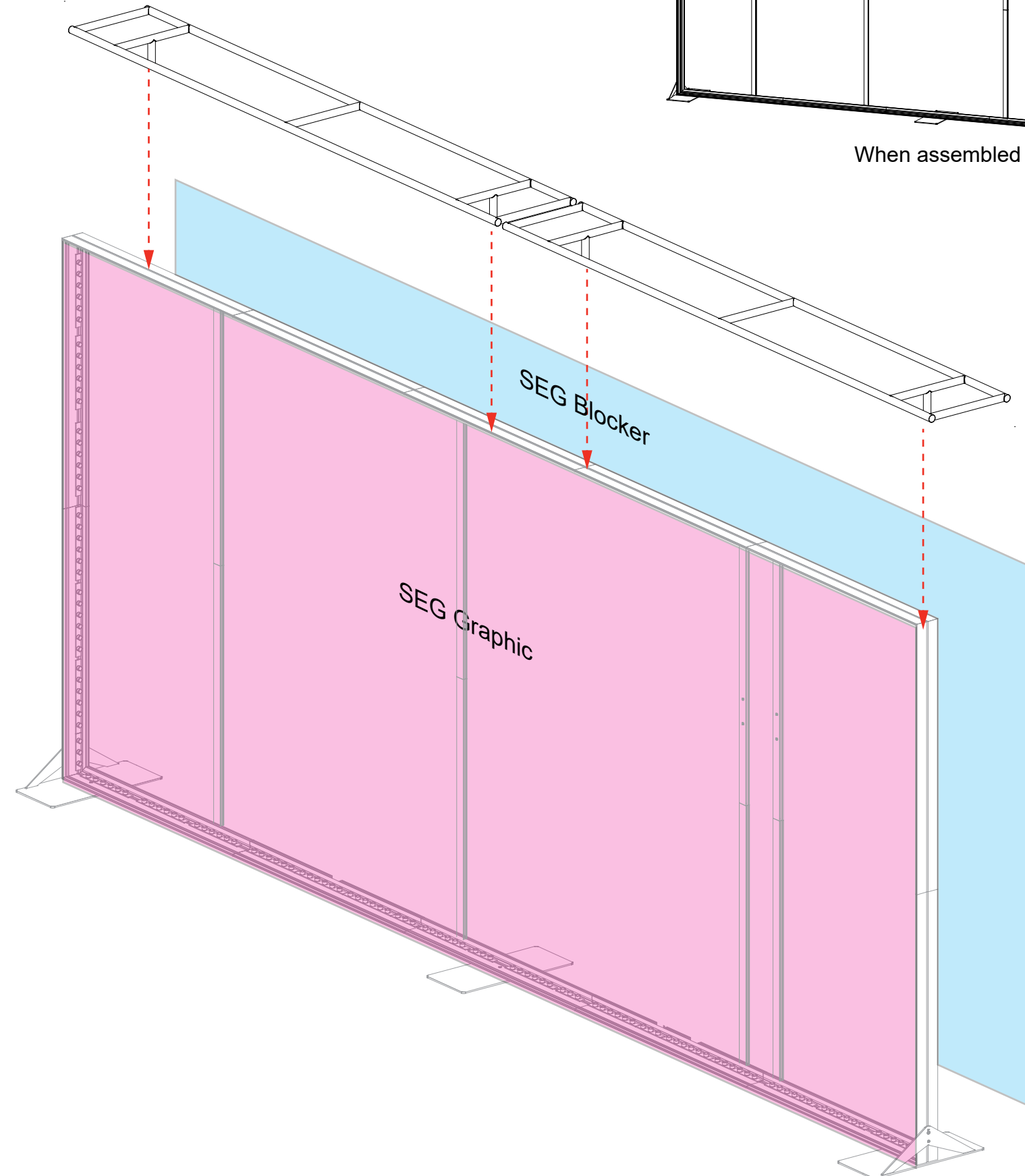
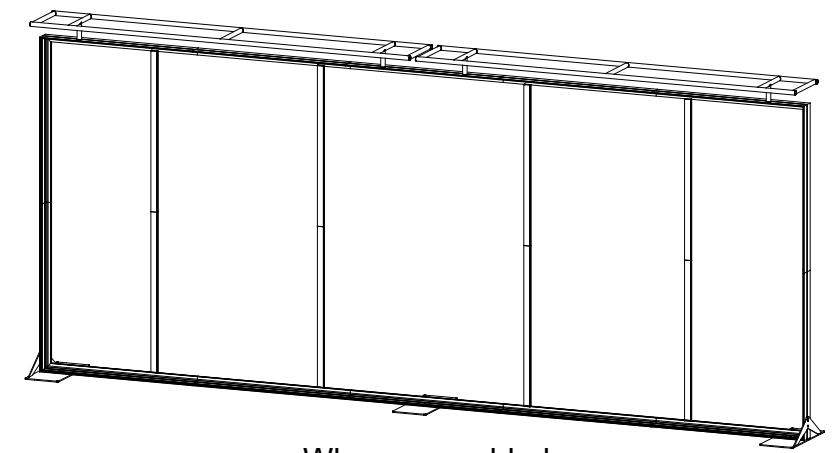
Connections are made by holding the button down and sliding the red tube into opposing tube until button locks into the hole of the opposing tube. To disassemble, push button and pull or twist extrusions apart.



Steps:

Refer to the SEG Installation general information page.

- 1) Apply SEG Graphic to front of lightbox assembly.
- 2) Apply SEG Blocker to back of lightbox assembly.
- 3) Attach Canopies to top of backwall.
See [Canopy Mount Attachment](#) detail.



Item	Description
1	19" w x 38" h Panel
2	19" w x 38" h Panel
3	38" h 90° Connector
4	19" w x 38" h Panel
5	38" h 90° Connector
6	19" w x 38" h Panel w/ Door
7	19" w x 38" h Panel w/ Door
8	38" h 90° Connector
9	19" w x 38" h Panel
10	38" h 90° Connector

- Steps:**
- 1) Connect panels together in numerical order. See LT Panel Assembly instruction on reverse side.
 - 2) Connect shelf supports to Velcro on interior of assembled panels then set shelf on top of supports.
 - 3) Set counter top on top of assembled panels then secure with pins. See [Counter Top Attachment](#) detail.

